

Arc H₂O Overview

NSA's Arc H₂O Rainwear has been certified to ASTM F 1891 & ASTM F 2733, making it one of the most advanced rainwear systems in the safety apparel industry. Arc H₂O is specifically designed for arc flash exposure and to minimize body burn percentage while exposed to extreme open flame hazards also known as flash fires.

The premium 10 oz/yd² FR Polyurethane (PU) moisture barrier with an FR cotton weft knit fabric offers lightweight & stretchable comfort that combines a superior arc rating along with hi-vis protection. The FR PU material is durable, flexible and will not become brittle as it ages.

- High Arc Rating (ASTM F 1891)
- Low flash fire body burn (ASTM F 2733)
- Hi-visibility rated (ANSI/ISEA 107)
- Resistant to most chemicals, acids, salts, and alkalies
- 100% waterproof with dielectrically welded seams
- Fabric will not melt, drip, ignite or breakopen conforming to the referenced safety standards

Features & Benefits

30" Length Jacket: (shown)

Also available as a 48" length trench coat

- Exclusive design for electric arc and flash fire protection
- Contoured collar with a tuck away attached hood
- FR hook and loop wrist cuff adjusters
- Two reinforced front patch pockets with FR hook and loop closure
- Strategically placed back vent with FR mesh allows for breathability by maximizing airflow
- D-ring opening for use with fall protection harness
- Key stress points are reinforced for added durability
- 360° Hi-Vis reflective striping

Bib Pant: (shown)

Also available in an elastic waist pant

- Quick release suspender system for easy donning and doffing
- Front snap fly closure
- FR hook and loop leg cuff adjusters
- 360° Hi-Vis reflective striping

Product Codes

ANSI 107 Class 3 Level 2

30" Length Jacket R30RL__06 (ANSI Fluorescent Yellow) 

30" Length Jacket R30RQ__06 (ANSI Fluorescent Orange)

48" Length Trench Coat R31RL__06 (ANSI Fluorescent Yellow) 

48" Length Trench Coat R31RQ__06 (ANSI Fluorescent Orange)

ANSI 107 Class 2 Level 2


30" Length Jacket R30RL__05 (ANSI Fluorescent Yellow)

30" Length Jacket R30RQ__05 (ANSI Fluorescent Orange)

48" Length Trench Coat R31RL__05 (ANSI Fluorescent Yellow)

48" Length Trench Coat R31RQ__05 (ANSI Fluorescent Orange)

ANSI 107 Class E Level 2

Bib Pant R40RL__14 (ANSI Fluorescent Yellow) 

Bib Pant R40RQ__14 (ANSI Fluorescent Orange)

Waist Pant R50RL__14 (ANSI Fluorescent Yellow)

Waist Pant R50RQ__14 (ANSI Fluorescent Orange)



Proudly made in the USA.

Standards

ASTM F 2733
ASTM F 1891
NFPA 70E
ANSI 107



Material Data

PU / FR Cotton Weft Knit	NSA Arc H20 FL Yellow	NSA Arc H20 FL Orange
Electrical Arc Data		
*Arc Rating ATPV	19 cal/cm ²	21.6 cal/cm ²
*EBTAS	28 cal/cm ²	31.9 cal/cm ²
*HAF	87%	89%
NFPA 70 E Level	HRC 2	HRC 2
Visibility Data		
Jacket/Coat	Class 3 or Class 2 Level 2	Class 3 or Class 2 Level 2
Bib/Waist Pant	Class E Level 2	Class E Level 2
Flash Fire Data		
Total Body Burn (Standard Coverall)	18.85%(total)	8.4% (3rd degree burn)
Total Body (As Sold Rainwear)	11.07% (total)	6.15% (3rd degree burn)

*(ATPV) Arc Thermal Performance Value

*(EBTAS) Estimated Breakopen Threshold Above Stoll

*(HAF) Heat Attenuation Factor

Sizing and Measurements

TABLE X1.1 Two Piece Rainsuit Measurements

Jacket—Measurements in Inches (Centimetres)			
Size	Chest Girth (C)	Sleeve Length (A)—See Note X1.1	Sleeve at Elbow Girth (E)
Small	45	34	16.5
Medium	49	35	17
Large	53	36	18
X-Large	57	36	19
XX-Large	61	37	19
XXX-Large	65	37	19.5

Trousers—Measurements in Inches (Centimetres)			
Size	Waist Girth (W)	Leg Inseam Length (I)—See Note X1.1	Knee Girth (K)
Small	42.5	26	27
Medium	45.5	27	28
Large	48.5	27	29
X-Large	51.5	28	30
XX-Large	54.5	28	31
XXX-Large	57.5	28	32

Sizing is per ASTM F1891 - 06 Standard

*The measurements are based on the actual size of the garment and **NOT** the actual body measurement.

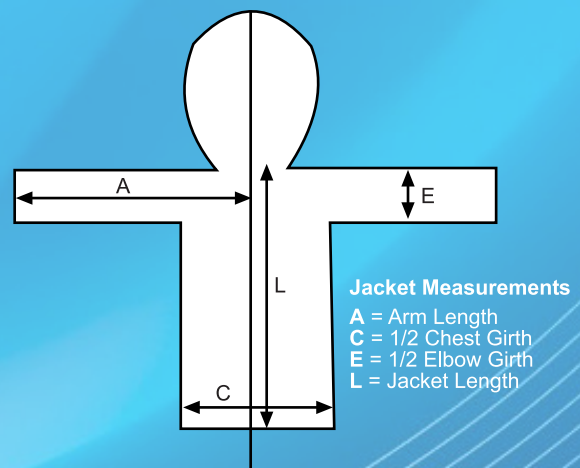


FIG. X1.1 Jacket Measurements



Proudly made in the USA.

Standards

ASTM F 2733
 ASTM F 1891
 NFPA 70E
 ANSI 107

